

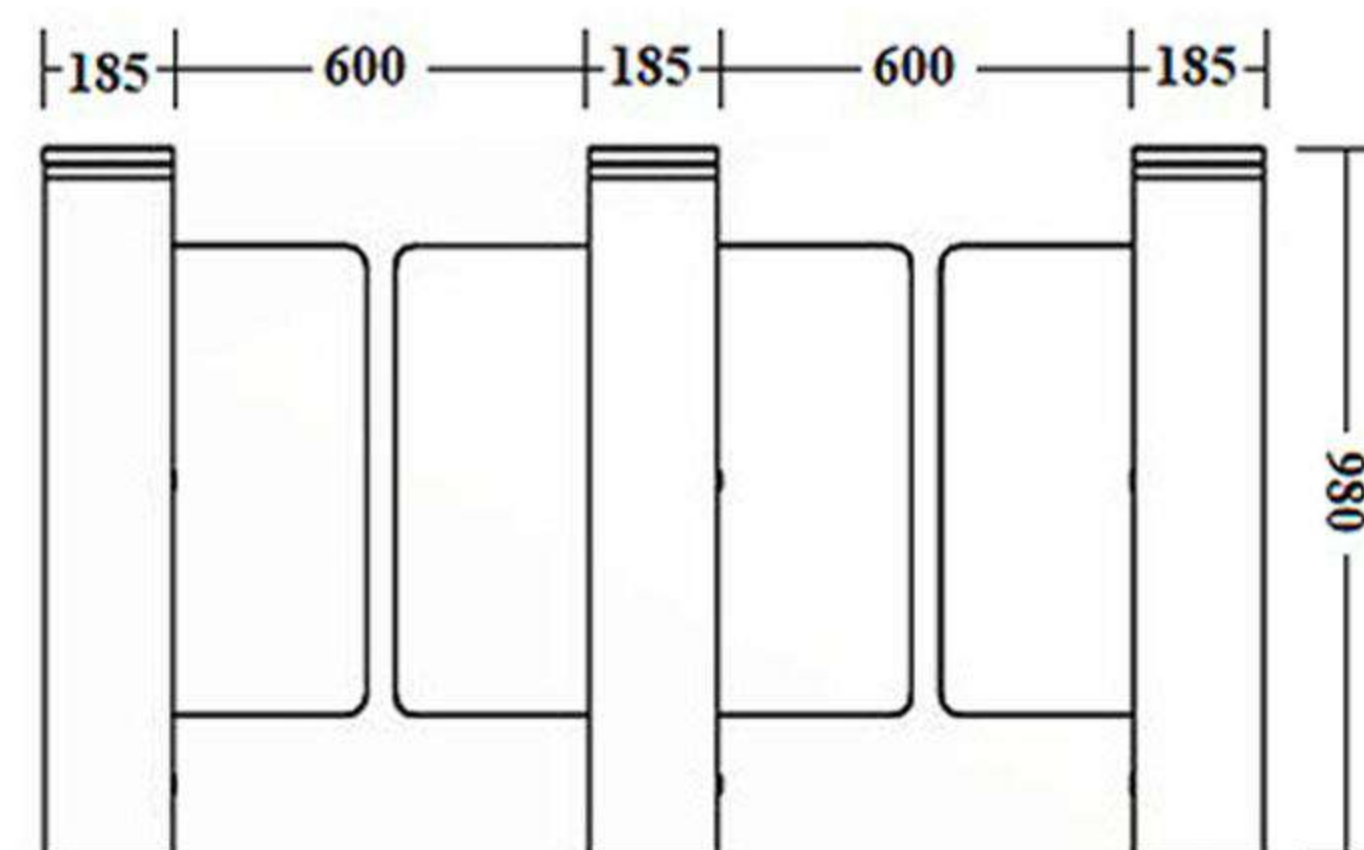
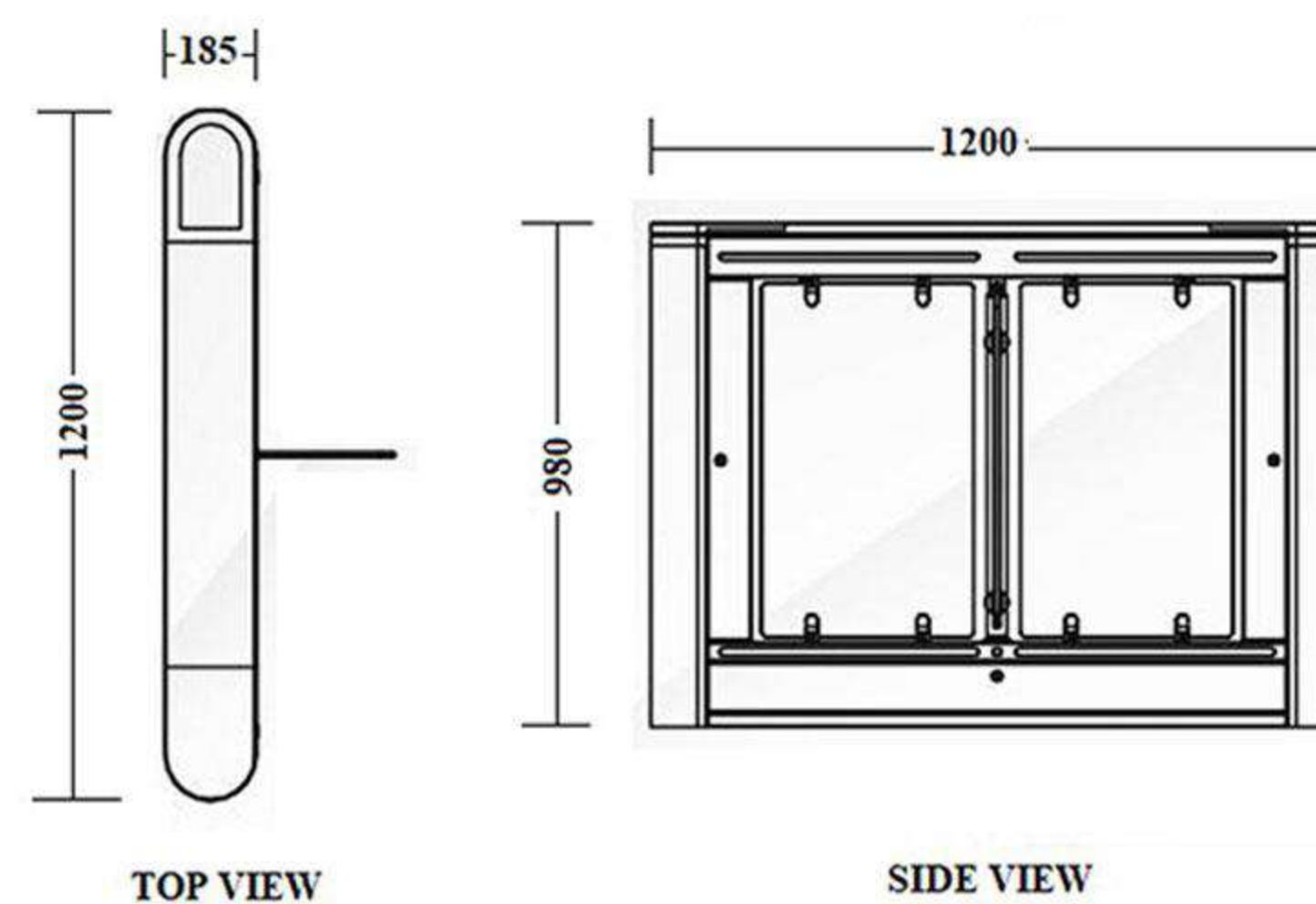
## SB-ES-3012-2



### Specification

Product Size: 1200\*185\*980mm  
Pass Width: 600mm  
Net Weight: 65kg  
Thickness: 1.0mm  
Material: 1.0mm SUS 304  
Operating Time: 0.2 Seconds  
Top cover Material: 1.2mm SUS304  
Arm Material: 10mm Transparent Acrylic  
Driver: Brushed Motor  
Infrared Sensor: 4pairs  
Pass rate: 20-35p/m  
Power Supply: 100-240V(AC)  
Operational Voltage: 24V(DC)  
Max Power Consumption: 35W  
Frequency: 50-60hz  
Working Temperature: -25 to +70 ☒  
MCBF: 5,000,000cycles

### Dimensions



TWO LANE SYSTEM